

ENGLISH

Specification of installation

In order to ensure safety use, please notice the following items:

Read and understand the whole Specification.

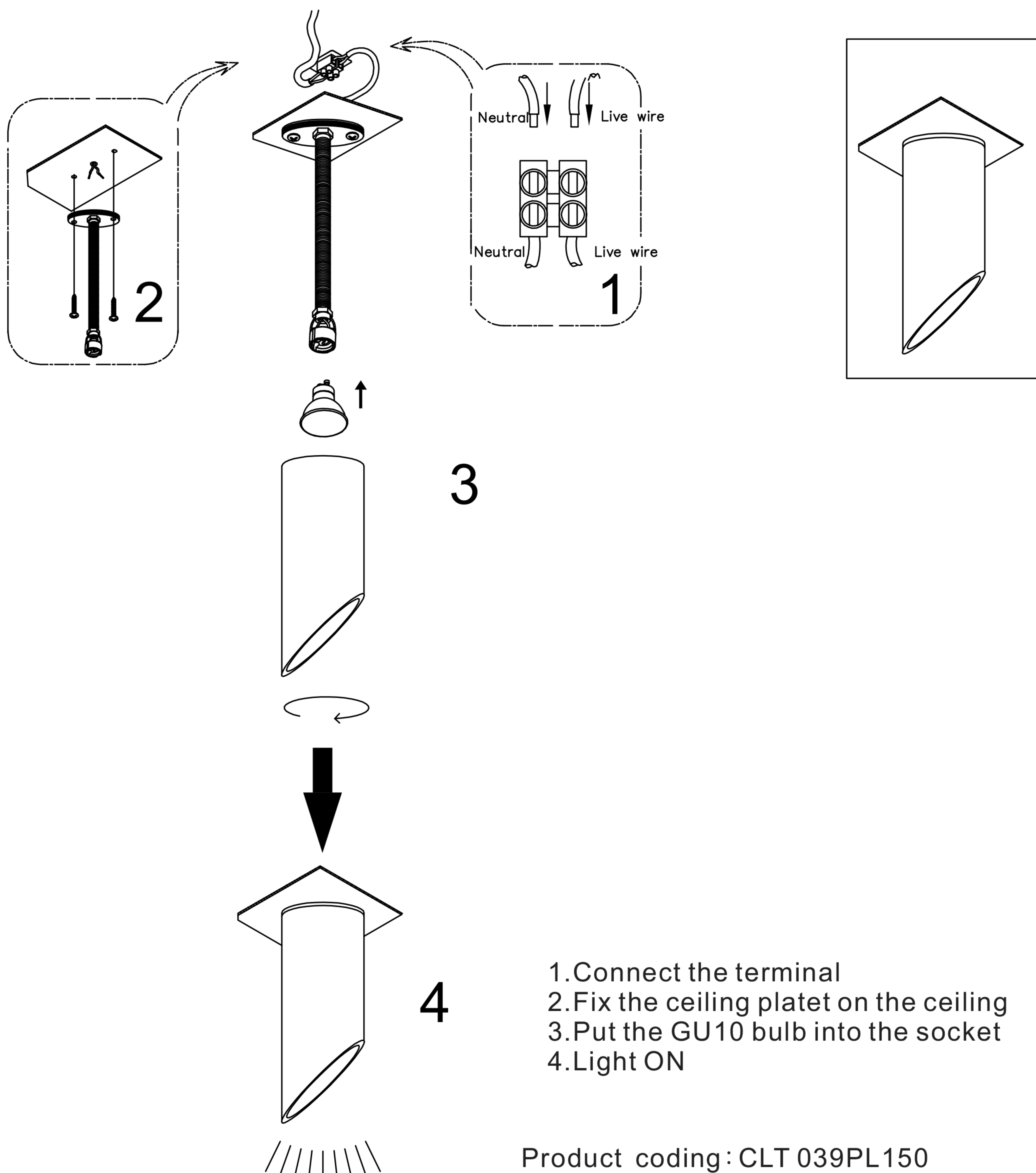
Suitable for the use of 220~240V and 50~60Hz.

Please wear gloves as installment and avoid rot on the surface of plating.

Must be installed on the fixed please and be checked annually.

Please thrn off the lighting source by soft cloth as cleaning prohibited to use of rotted detergent.

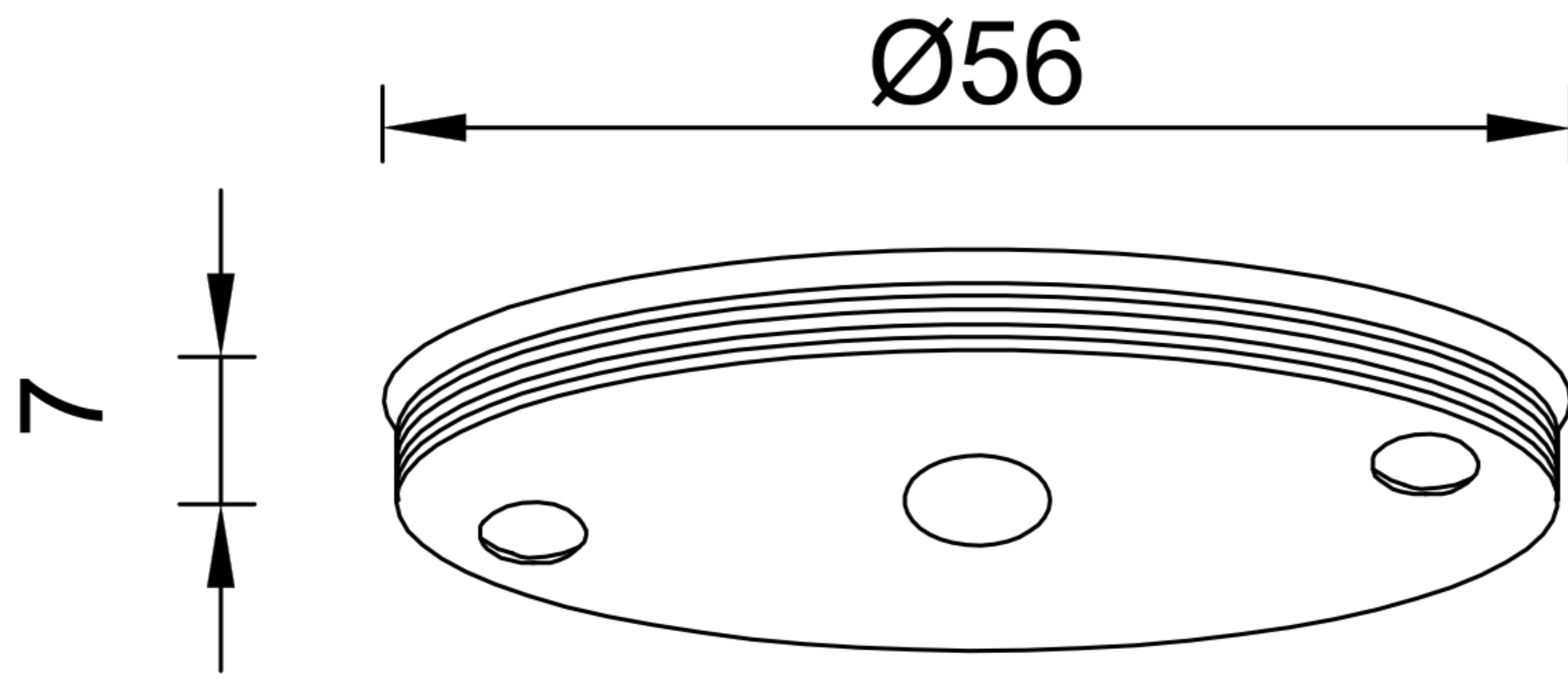
Please connect with the local sales service center when there and any abnormality.



1. Connect the terminal
2. Fix the ceiling platet on the ceiling
3. Put the GU10 bulb into the socket
4. Light ON

Product coding: CLT 039PL150

CEILING PAN SIZE:



FIXTURE SIZE:

