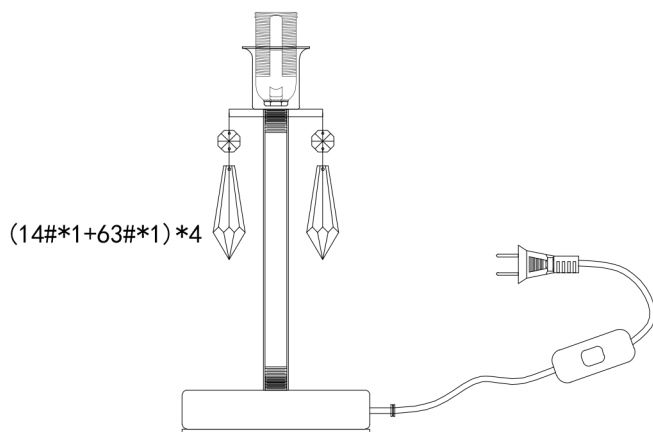
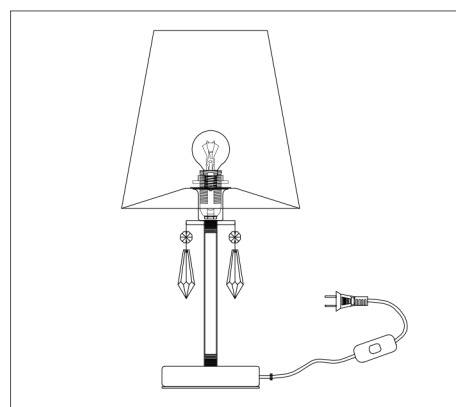
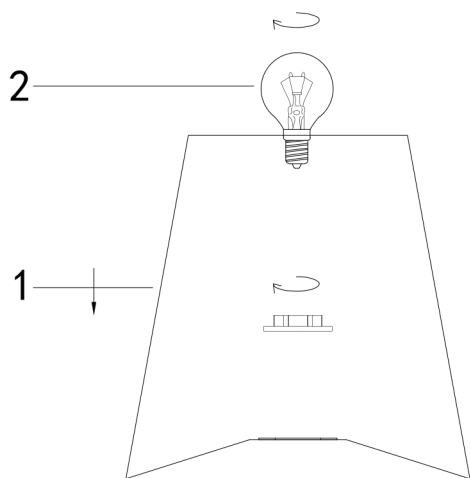


Specification of installation

In order to ensure safety use, please notice the following items:


- Read and understand the whole Specification.
- Suitable for the use of 220 ~ 240V and 50 ~ 60Hz.
- Please wear gloves as installment and avoid rot on the surface of plating.
- Must be installed on the fixed places and be checked annually.
- Please turn off the lighting source by soft cloth as cleaning prohibited to use of rotted detergent.
- Please connect with the local sales service center when there are any abnormality.



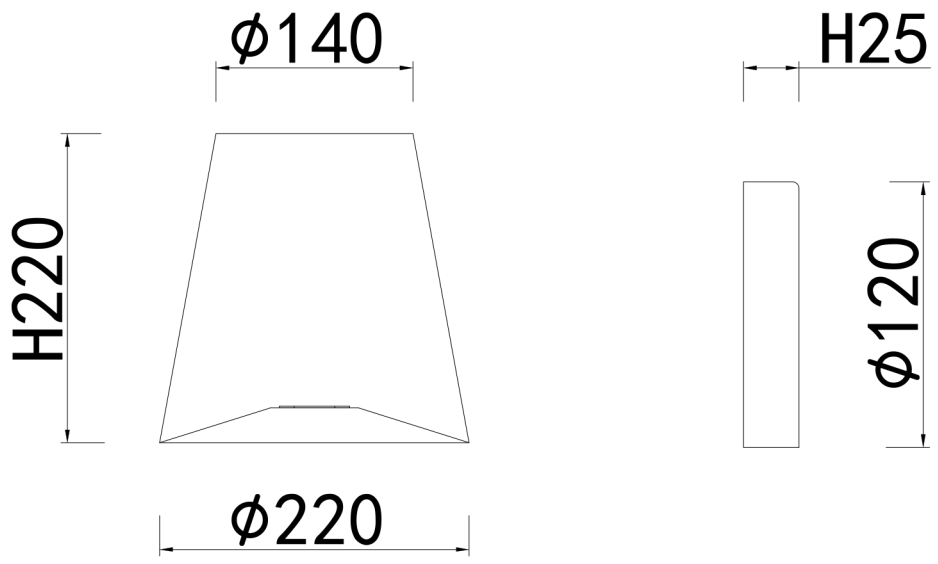
1 Cover

2 E14 bulb

14#*4pcs  — 3 Crystal

63#*4pcs  — 4 Crystal

BASE SIZE:



FIXTURE SIZE:

